

# Dustproof key



Part of the  
Sentric Group



A range of keys is available to suit various applications.



Trapped Key Interlocks



INDUSTRY



ENERGY



RAILWAY

## USAGE

- 304 stainless steel (Standard)
- Dust cover
- Coding assigned by STI according to installation site
- Marking plate (blue by default; other colours possible)
- Marking:
  - + 2 rows maximum
  - + Maximum marking 8 characters per row
  - + Any alpha- (A-Z) and digital (0-9) configuration
- Master and part master keys available (contact us for more information)

## TECHNICAL DATA

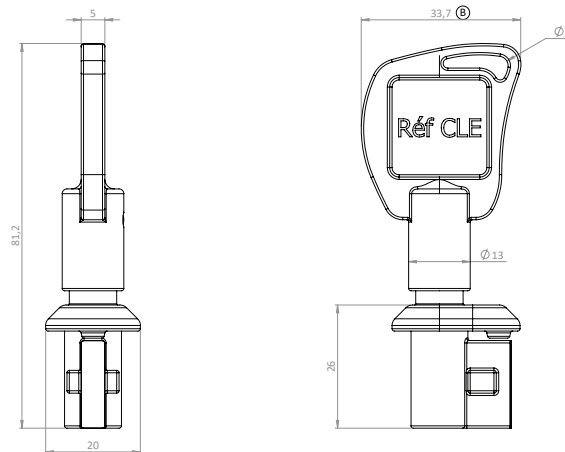
<b>Weight</b>	95 g
<b>Material</b>	- 304 stainless steel - Marking plate: Aluminium (riveted or glued) Brass rivet - Glued plate (Acrylique - Loctite AA330)
<b>Product finishing</b>	None
<b>Temperature rating</b>	-35°C / +120°C
<b>Salt spray tolerance</b>	240h
<b>Torsional strength</b>	No key breaking at 5Nm
<b>ROHS</b>	Certificate available on our website, Resource Centre section
<b>REACH</b>	Certificate available on our website, Resource Centre section
<b>Conflict Minerals Declaration</b>	Certificate available on our website, Resource Centre section

## OPTIONS

- Marking plate Red, Yellow, Green, Orange ou White
- Laser marking directly on stainless steel key

## DRAWING

Dimensions: in mm



## REFERENCES

SCET3000	Standard dustproof key
----------	------------------------

## DISCHARGE

### IMPORTANT:

We must bring to your attention the potential risk of providing spare keys, master keys or part keys.



Trapped key interlocks control safety procedures in a strict sequence. If this sequence is altered by the use of spare keys or Master keys, the integrity of your security system can be compromised, resulting in serious injury or death, or damage to processes and plant.

In inappropriate hands, spare keys and Master keys could expose one or more people to danger, even with a locking system that is supposed to protect them.

A release letter will be requested when ordering a spare key or pass.

## CONTACTS

### Serv Trayvou

1 ter rue du Marais, 93100 MONTREUIL, France

t: +33 (0)1 48 18 15 15 | f: +33 (0)1 48 59 68 50 | e: sales@servtrayvou.com